



**IPC Integrated Professional Cleaning**

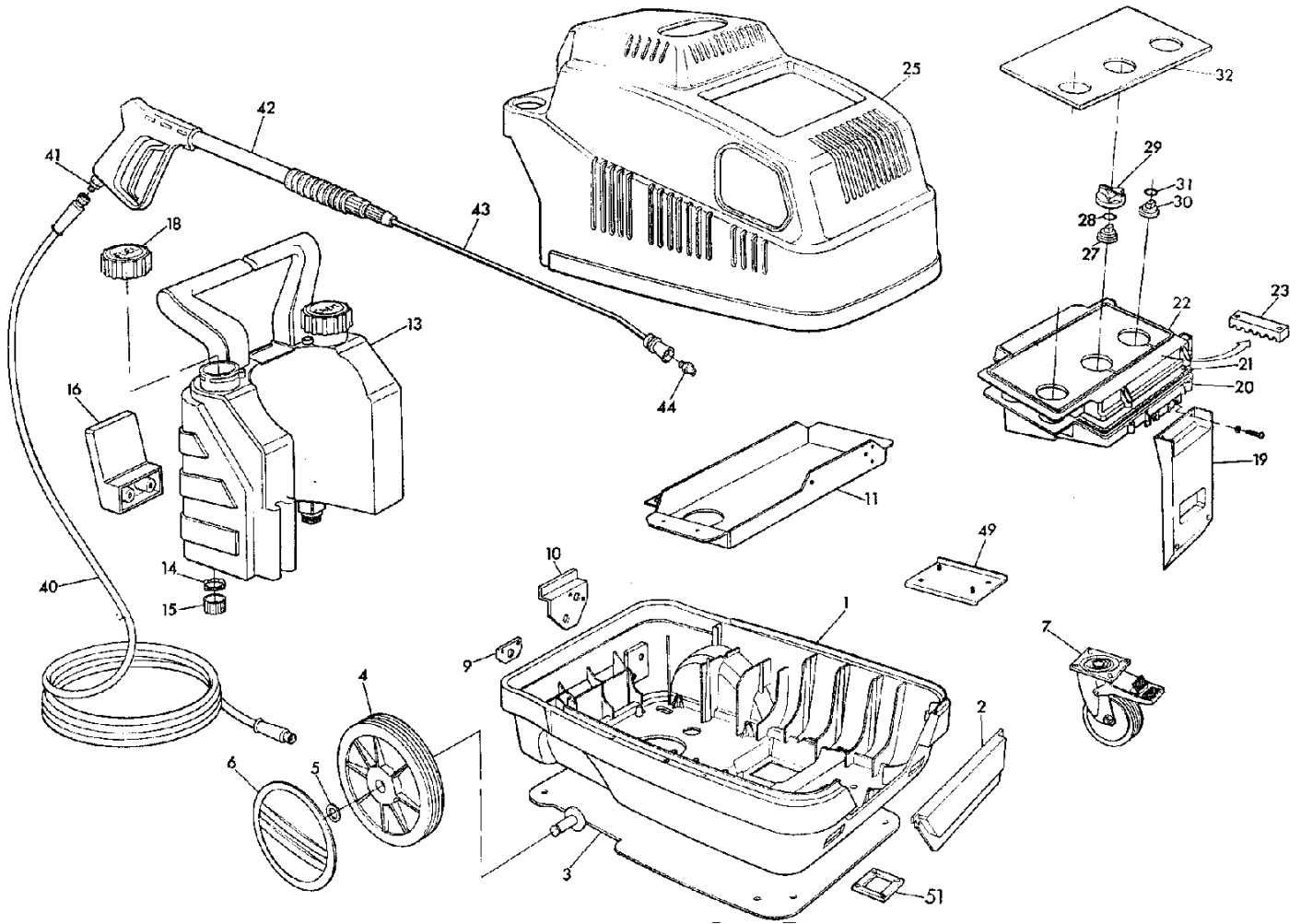
**IPC Portotecnica**

## Spare Parts List

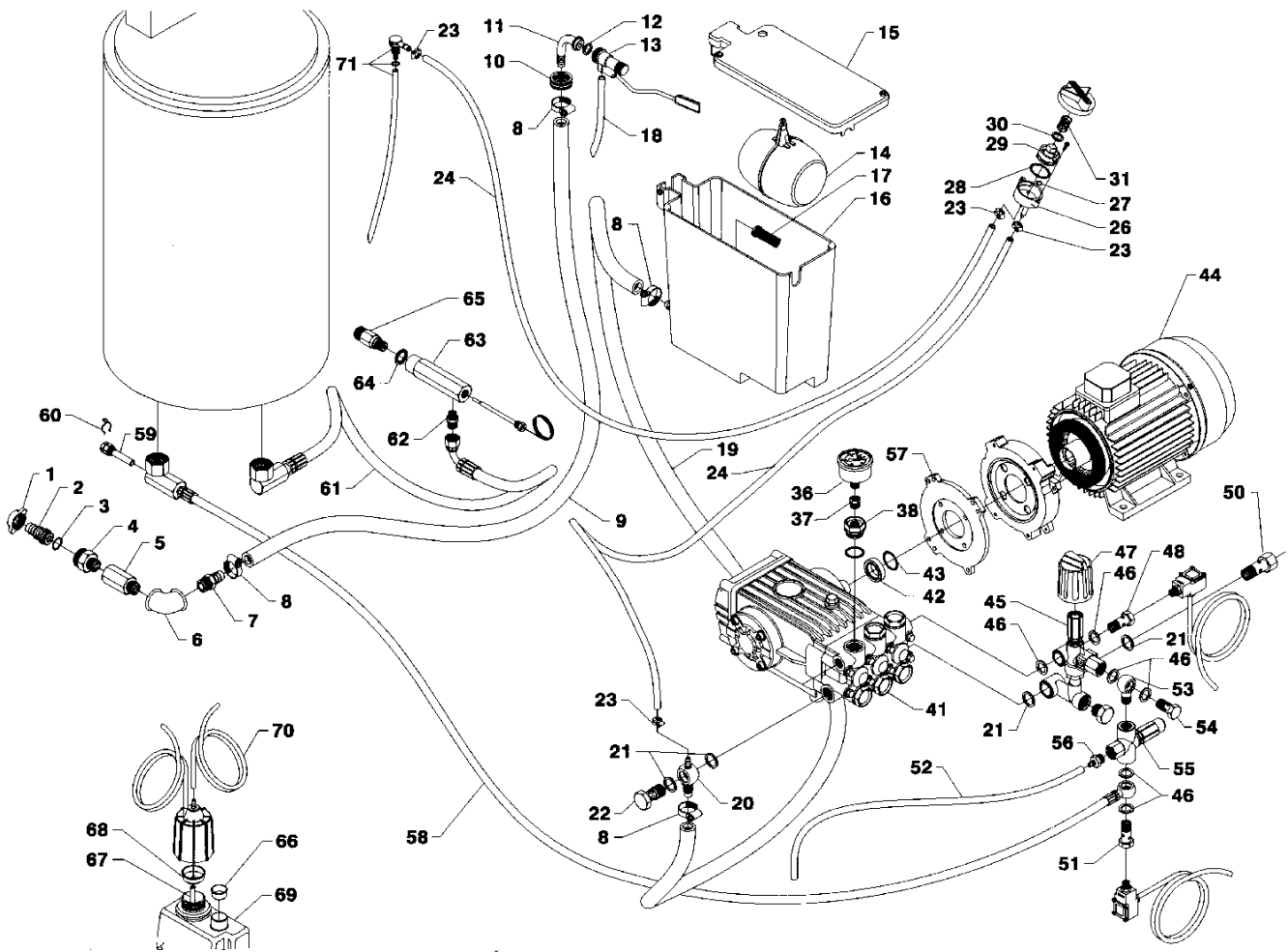
PORTOTECNICA

Ref: IDAC40268

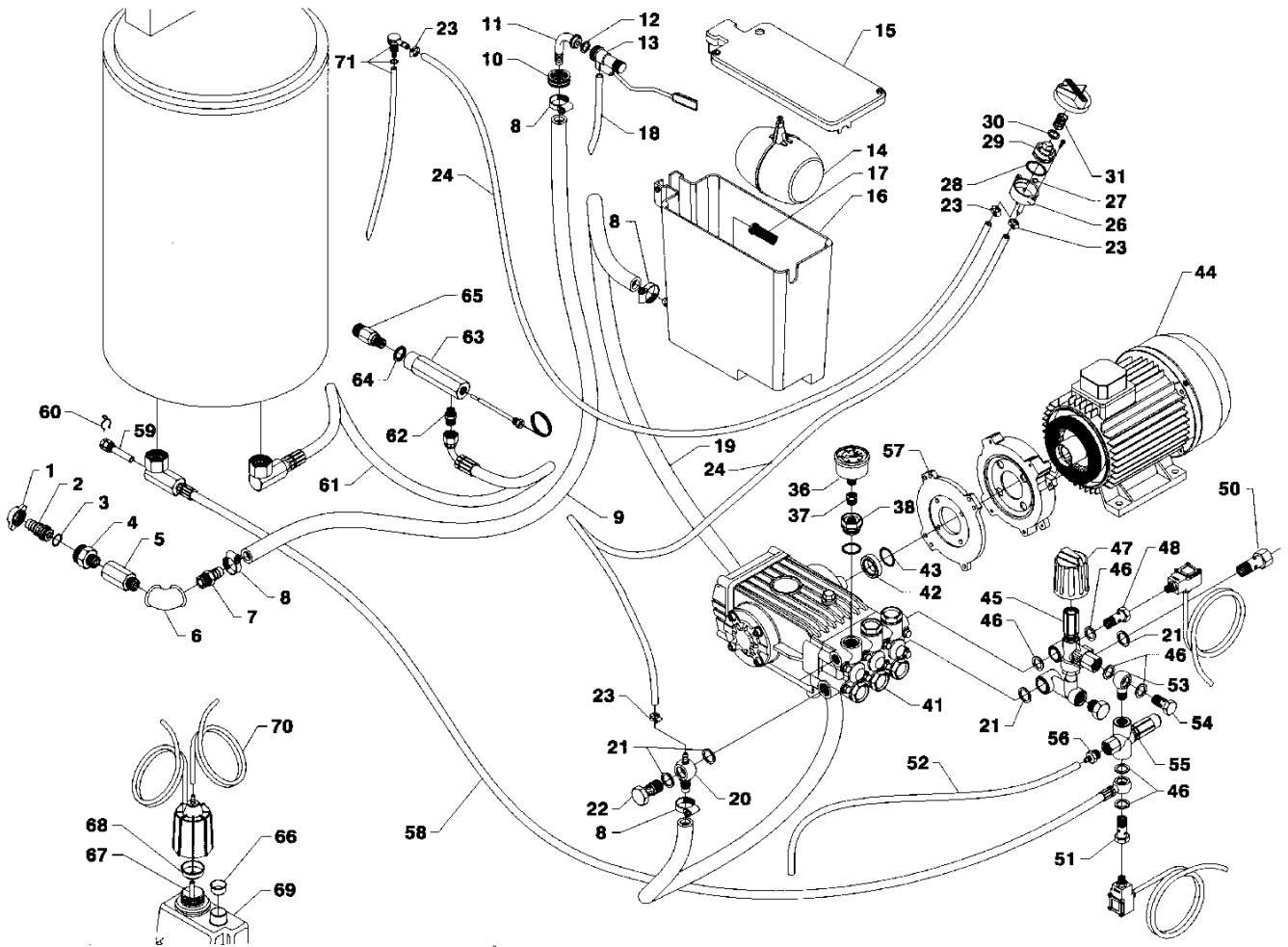
Model: IDROP GOLDEN JT.DS 2860 T 400/50 3-01PRT



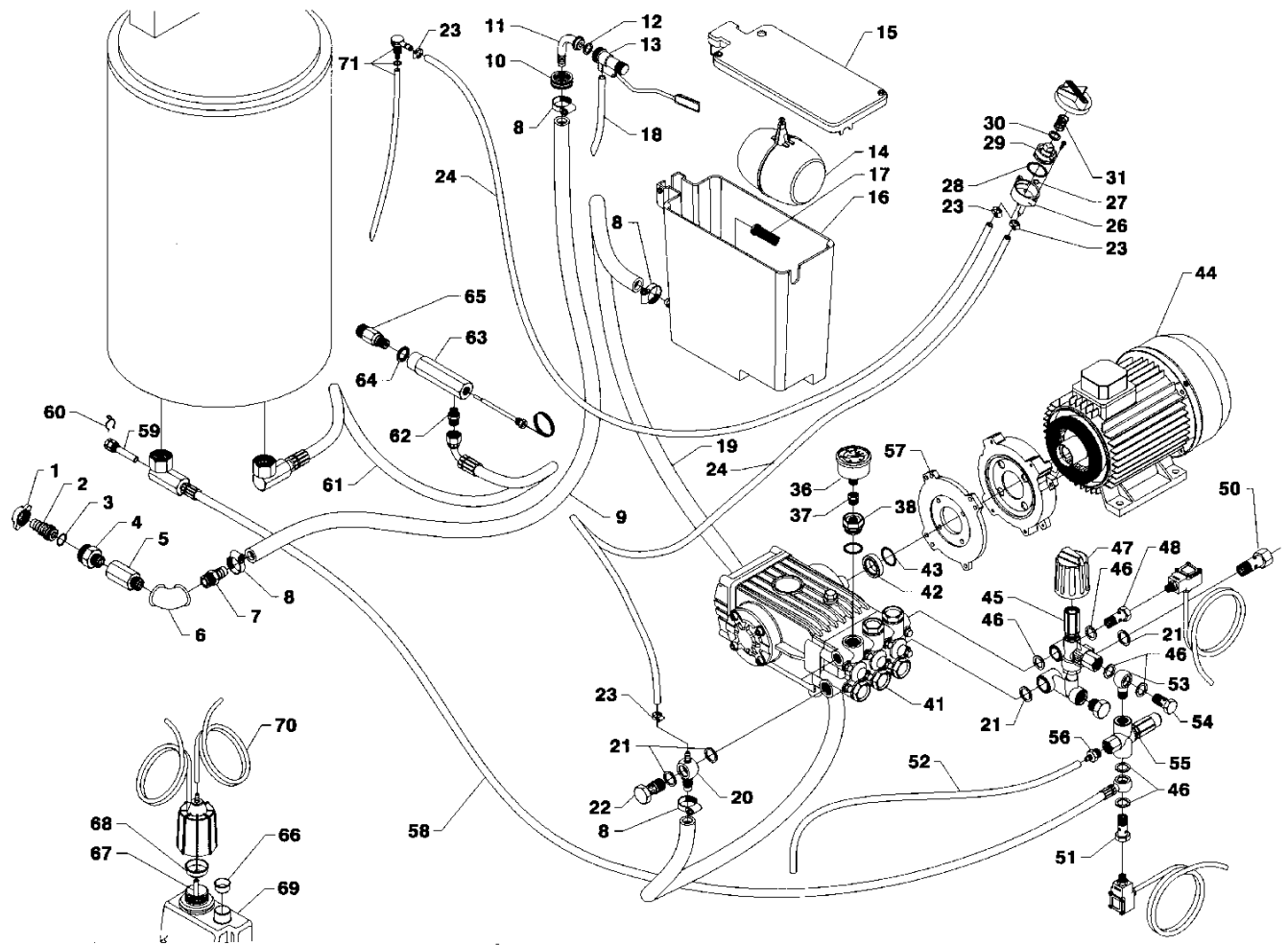
Ref.	K	Part N.	Customer Part N.	Description	Qty	Validity:		Price
						From	To	
0001		MPVR33490		CHASSIS MISTRAL PP	1,00	11/2000		--
0002		MPVR34168		DOOR MISTRAL PP	1,00	03/2002		--
0003		LAFN33489		SUPPORT MST	1,00	11/2000		--
0004		RTRT24320		WHEEL D.250-D.25 RT-PRT	2,00	11/2000		--
0005		VTRS09813		WASHER D.25	2,00	11/2000		--
0006		MPVR25910		RED WHEEL COVERD. 250 RT/PRT	2,00	03/2002		--
0007		RTRT13708		TURNING WHEEL D.125 P. MZ.PLS	1,00	11/2000		--
0009		LAFN34637		SUPPORT MST	1,00	11/2000		--
0010		LAFN34052		SUPPORT MST	1,00	11/2000		--
0011		LAFN40508		MOTOR PLATE MST S/BLC.	1,00	11/2000		--
0013		MPVR33530		TANK MISTR. PEHD	1,00	11/2000		--
0014		GUGO11489		GASKET D.22X1,5	2,00	11/2000		--
0015		PVVR11806		DISCHARGE CAP FLL	2,00	11/2000		--
0016		LAFN20105		HOSE SUPPORT KSM	1,00	11/2000		--
0018		MPVR20418		TANK CAP KSM	2,00	03/2002		--
0019		MPVR33534		BOX SUPPORT MST PA 66	2,00	11/2000		--
0020		MPVR33248		CONTROL BOX MISTRAL PP	1,00	11/2000		--
0021		GUGO11309		JOINT MOUSSE D. 3	1,20	11/2000		--
0022		MPVR40023		BOX COVER MISTRAL C/F.MN.BK	1,00			--
0023		MPVR33250		CABLE CLAMP COVMISTRAL	1,00	11/2000		--
0025		MPVR33318		RED COVER MISTRAL PP	1,00	03/2002		--
0027		MPVR10083		TAIL PIECE OKA L=22	1,00	11/2000		--
0028		GUGO23079		V-SEAL RING VA0014 13.5- 15.5	1,00	11/2000		--
0030		MPVR23484		TAIL PIECE THERM.KSM TUV	1,00	11/2000		--
0032		ETET40526		LABEL GLD JT.P. PCV R	1,00			--
0040		TBAP25324		H.P. HOSE R1 MT 10 5/16" C/2 IRV ZC	1,00			--
0042		IPPR43065		GRIP G 2200 +PR.330 +M22 M	1,00	04/2000	11/2004	--
0042		IPPR45298		GRIP G 4500 - P 330 - M22 M V	1,00	12/2004	03/2007	--
0042		IPPR89429		GRIP G 4500 - P.330 -M22SW.M V	1,00	03/2007		--
0043		LCPR12976		EXTENSION P 70	1,00	01/2007		--
0044		UGLN00044		NOZZLE 1/4 2505	1,00		01/2007	--
0044		UGLN05199		LANCE NOZZLE LECH 1/4 2505	1,00	01/2007		--
0045		LAFN35778		B.TANK BRACKET MST INX	1,00	11/2000		--
0046		MEVR27264		FUSE-HOLDER 031-1081	2,00	11/2000	07/2004	--



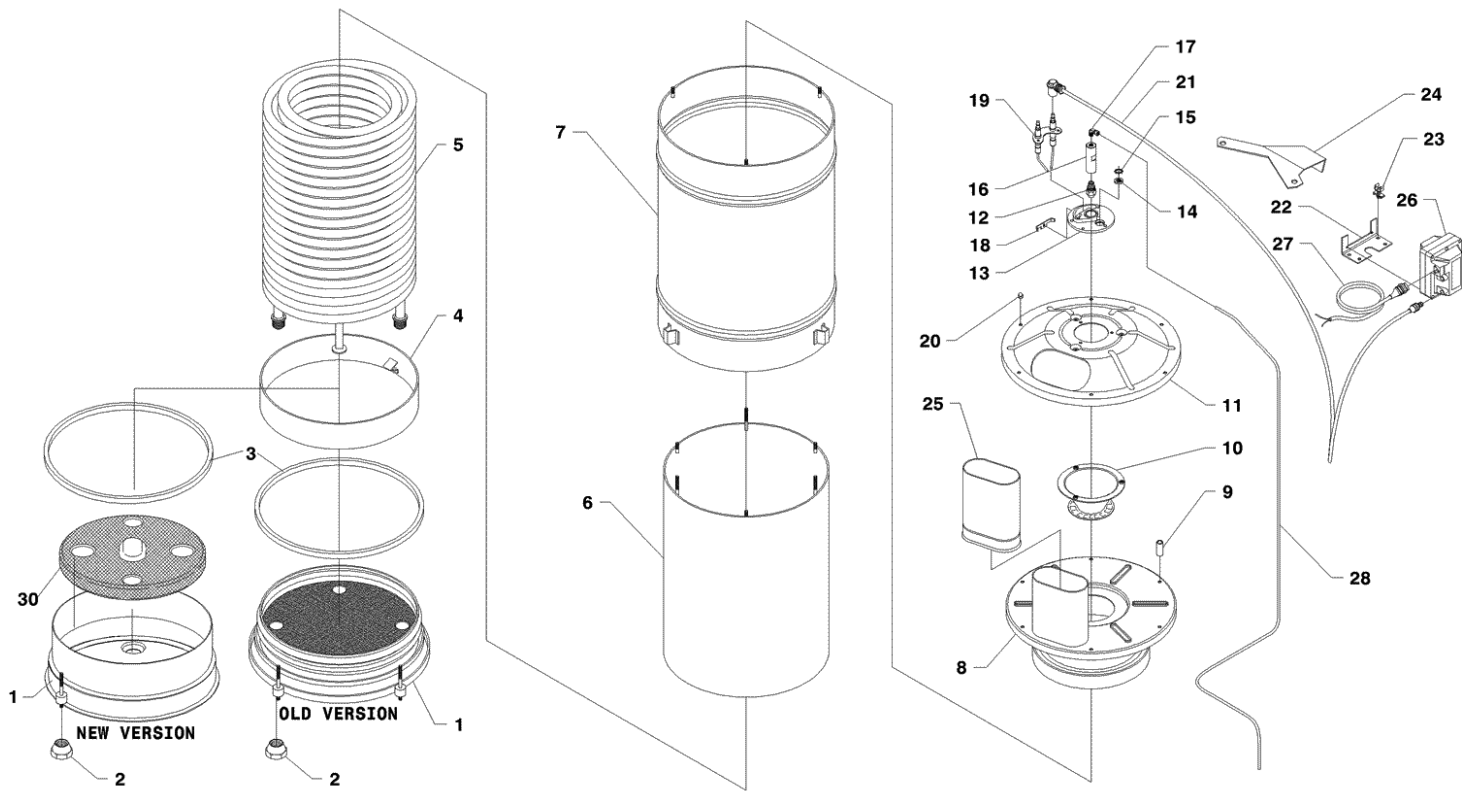
Ref.	K	Part N.	Customer Part N.	Description	Qty	Validity:		Price
						From	To	
0001		RCDS09316		CONNECTION G. 3/4	1,00	03/2002		--
0002		RCDS08965		HOSE FITTING OTT.	1,00	03/2002		--
0003		GUGO01054		O-RING D. 15.08 X 2.62 NBR 70SH	1,00	03/2002		--
0004		RCDS35797		NIPPLE 3/4 - 1/2 OTT MST	1,00	11/2000		--
0005		RCDS17206		SLEEVE 1/2 M/F L= 50-65	1,00	11/2000		--
0006		RCVR00578		ELBOW 1/2" F	1,00	11/2000		--
0007		RCDS02689		HOSE FITTING 1/2 M D.12-16	1,00	11/2000		--
0008		FSVR00431		CLAMP D. 16-25	3,00	11/2000		--
0009		TBBP00055		L.P. HOSE D.15-23 10BAR AYTK.	0,62	11/2000		--
0010		RCDS10356		RING NUT FUT	1,00	11/2000		--
0011		RCDS10357		HOSE FITTING FUT 90°	1,00	11/2000		--
0012		VTRS10642		WASHER D.11X22X1.5 FIB	1,00			--
0013		RCGR10358		TAP UG. D. 7	1,00	11/2000		--
0014		RCGR01387		PLASITC BALL D.104	1,00	11/2000		--
0015		MPVR10353		TANK COVER FUT PPL BK.	1,00	11/2000		--
0016		MPVR22117		WATER TANK FUT PPL BK.	1,00	11/2000		--
0017		FTDT21315		FILTER D.20X45 18LT	1,00			--
0018		TBBP17436		L.P. HOSE D.12-14 RILSAN NT.	0,17	11/2000		--
0019		TBBP15656		L.P. HOSE D.16-26 20BAR	1,41	02/2001		--
0020		RCDS15318		CONNECTOR O. 1/2 - 9.5-16+5-7	1,00	11/2000		--
0021		VTRS12491		WASHER 1/2	4,00	11/2000		--
0022		RCDS33982		SCREW 1/2 C/SC. L=41.5 D.13.5	1,00	11/2000		--
0023		FSVR00427		CLAMP D. 12 CLIC 66-110	2,00	06/2000		--
0024		TBBP00051		DETERGENT HOSE D. 6-12	1,40	12/1999		--
0024		TBBP00051		DETERGENT HOSE D. 6-12	0,45	12/1999		--
0026		RCGR08069		TAP BODY DET. PRT	1,00			--
0027		GUGO08071		O-RING D. 4.48 X 1.78 NBR 70SH	1,00			--
0028		GUGO12183		O-RING D. 23.4 X 3.53 VIT 70SH	1,00			--
0029		RCGR08070		ADJUSTER PRT	1,00			--
0030		VTRS00542		WASHER D.14X20	1,00	11/2000		--
0031		MLML08068		SPRING D.1,5 L.23	1,00	11/2000		--
0032		MPVR20190		GREY KNOB KSM	3,00	11/2000	11/2007	--
0032		MPVR46511		GREY KNOB KSM C/F.FIS.	3,00	11/2007		--
0036		MNMN18650		PRESSURE GAUGE 0-300 D.40	1,00	11/2000		--
0037		RCVR00644		REDUCTION 1/4-1/8 M/F	1,00	11/2000		--
0038		RCDS09059		CAP M24X2X16 + 1/4F OTT	1,00	11/2000		--
0041		PPAP42031		PUMP WS151 DX LT 15 -150B. USA	1,00	11/2000		--
0042		RCDS34756		BUSHING IP W15 OT	1,00	11/2000		--
0043		GUGO42285		O-RING D. 35 X 2.5 VIT.70SH	1,00	11/2000		--



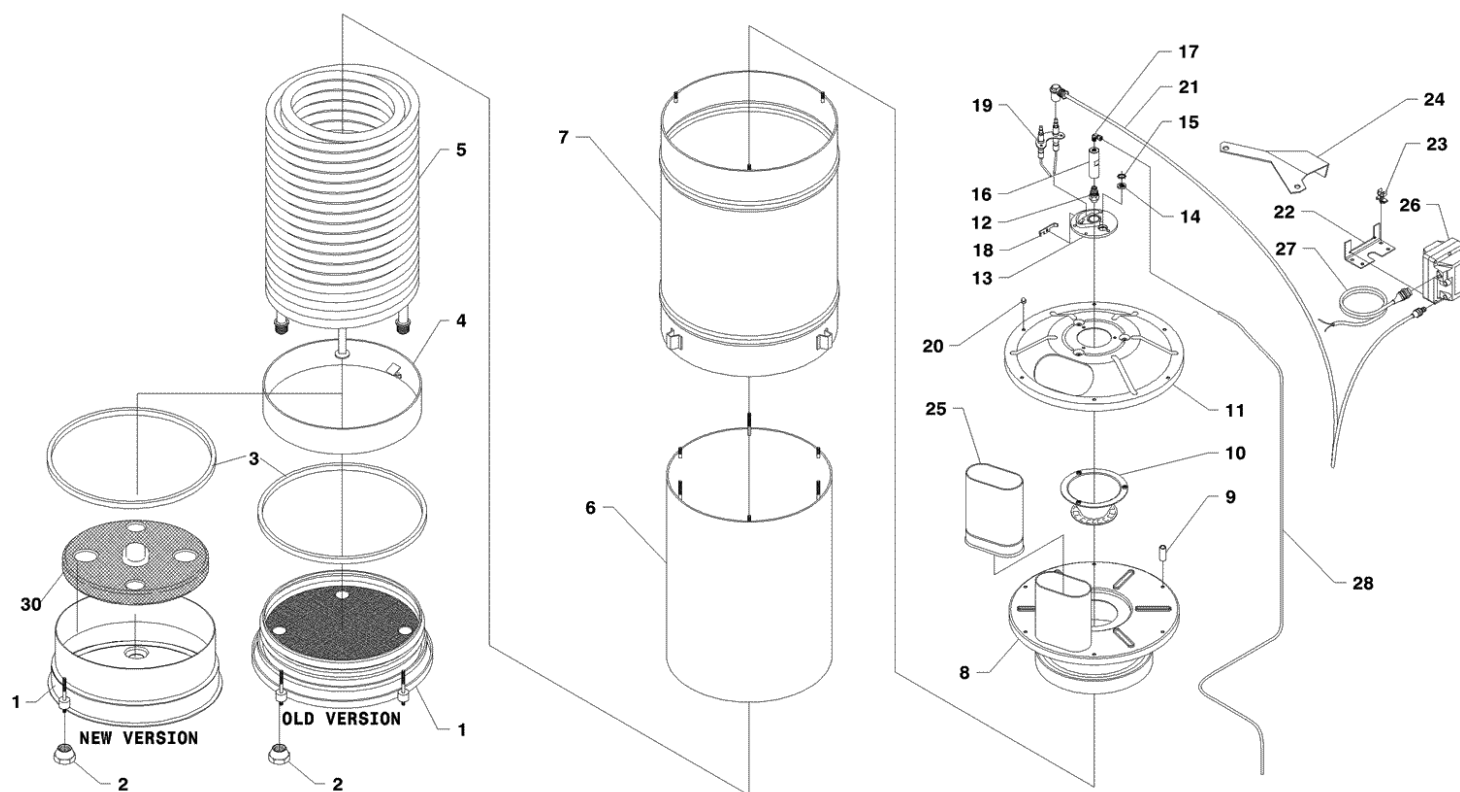
Ref.	K	Part N.	Customer Part N.	Description	Qty	Validity:		Price
						From	To	
0044		MOTR06345		3PH MOTOR AC HP 7.5 2/460-5/60 C.ED	1,00	07/2006		--
0044		MOTR21305		3PH MOTOR HP7.5 230-400/50 - CU. GR	1,00	11/2000	06/2006	--
0045		VVAZ26760		VALVE VB 7 W151 AC REG.	1,00	11/2000	09/2002	--
0045		VVAZ46720		VALVE MV 625 W151 AC S/IN. REG.	1,00	09/2002		--
0046		VTRS12492		WASHER 3/8	4,00	11/2000		--
0047		MPVR09436		BLACK KNOB ST 260	1,00	03/2002		--
0048		RCDS40551		SCREW G 3/8 - 1/8F L=48.5	1,00	11/2000		--
0050		RCDS12486		SCREW G 1/2 L=48.5	1,00	11/2000		--
0051		RCDS07931		SCREW G 3/8 + 1/4F A.P.	1,00	11/2000		--
0052		TBBP04917		L.P. HOSE D. 6- 9	0,60	11/2000		--
0053		RCDS15150		CONNECTOR O. 3/8 - G3/8M L=28.5	1,00	11/2000		--
0054		RCDS01371		SCREW G 3/8 A.P.	1,00	11/2000		--
0055		VVSC40541		VALVE VS 220 2 G3/8 F	1,00	11/2000		--
0056		RCDS03514		HOSE FITTING 3/8 M D. 5- 7	1,00	11/2000		--
0057		MFVR21735		COUNTERFLANGE MEC 112 2.V	1,00	11/2000		--
0058		TBAP40552		HOSE-FITTING 3/ 8 R2 L=880 O3/8-1/2PMG	1,00	11/2000		--
0059		RCDS00593		SUMP IM 0-120 L=50	1,00	11/2000		--
0060		MLML02623		SPRING IMT	1,00	11/2000		--
0061		TBAP33971		HOSE-FITTING 3/ 8 L=275 R2 3/8F -1/2P.	1,00		05/2009	--
0061	S	RCDS40056		CONNECTOR L=150 90° 2X1/4M CN. ZC.	1,00	05/2009		--
0061	S	RCDS40054		CONNECTOR M14X1.5 -G1/4F CH.27	1,00	05/2009		--
0061	S	VTDD19324		NUT G 1/2	1,00	05/2009		--
0061	S	RCDS19326		CONNECTOR M 14	1,00	05/2009		--
0062		RCDS34050		NIPPLE 3/8-14X1.5 L=61	1,00		05/2009	--
0063		RCDS34048		BLOC BODY 3/8F MST	1,00		05/2009	--
0063	S	RCDS40052		CONNECTOR G 3/8F -M14 +G1/4F C.27	1,00	05/2009		--
0064		VTRS22537		WASHER D. 16	1,00	11/2000		--
0065		RCDS13012		NIPPLE M22-3/8 D. 7.5	1,00	11/2000		--
0071		RCDS20136		SUCTION L= 355 C.	2,00	11/2000		--



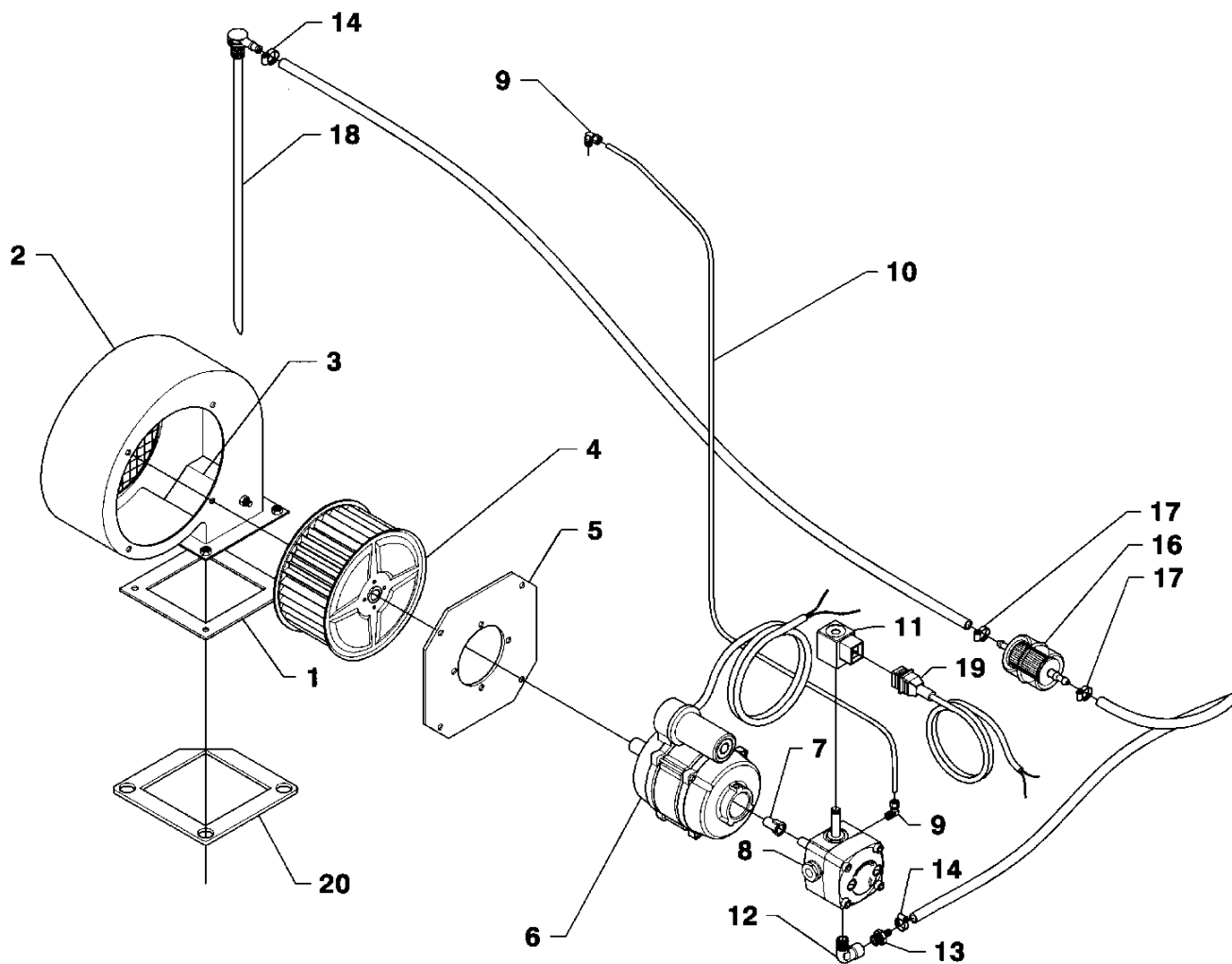
Ref. Part N.	Cust. Part N.	Description	Reference	Price
0061	KTRI40083	KIT PX 1- 43 HOSE 3/8 MST	0061 0061 0061 0061 0063	--



Ref.	K	Part N.	Customer Part N.	Description	Qty	Validity:		Price
						From	To	
0001		LAFN12715		BOILER BOTTOM FUT	1,00		10/2007	--
0001	S	LAFN40038		BOILER BOTTOM FUT. 2V. BK	1,00	11/2007		--
0002		RCDS00561		RING NUT 1/2 OTT	2,00			--
0003	S	GUVR35205		GASKET D. 7 FIB.	1,02	02/1996		--
0004		LAFN11708		METAL STRIP FUT	1,00		10/2007	--
0005		LAFN11724		DOUBLE COIL 3/8 FLL 24M 200B.	1,00			--
0006		LAFN07969		INT. CYLINDER FUT INX	1,00		10/2007	--
0006	S	LAFN40077		INT. CYLINDER FUT 2V.INX	1,00	11/2007		--
0007		LAFN07674		EXT. CYLINDER FUT INX	1,00			--
0008		LAFN42581		BOILER COVER SIMST INX	1,00	07/2000		--
0009		LAFN09096		SPACER 10X28,5	3,00			--
0010		LAFN08042		BAFFLE FUT	1,00			--
0011		LAFN07676		BOILER COVER SEFUT INX	1,00			--
0012		UGBR22576		BURNER NOZZLE 1.35 60 S	1,00			--
0013		MFVR18226		ELECTR.HOLDER FUT 3°V	1,00			--
0014		MPVR18228		OIL WARN-LIGHT D.17 X3	1,00			--
0015		VTAE22633		SEEGER 0.4 X18,30X10,5	1,00			--
0016		RCDS07642		NOZZLE HOLDER FUT	1,00			--
0017		RCVR08954		ELBOW 1/8"-4 B5	1,00			--
0018		LAFN07641		PLATE INX	1,00			--
0019		MECA12525		ELECTRODE FUT	1,00			--
0020		VTDD05907		NUT M 6 CIE.	6,00			--
0021		MECV35334		CABLE A.T. 9,8-23KOHM/M L= 400P	2,00	11/2000		--
0022		LAFN33974		SUPPORT BRACKETMST	1,00	11/2000		--
0023		MEVR15389		CLIP F-0201	1,00	11/2000	09/2009	--
0023		MEVR40027		CLIP D. 6.35 DB.	1,00	09/2009		--
0024		LAFN34806		BRACKET MST 30MT	1,00	11/2000		--
0027		MECB34463		CABLE BT L=800 SP.	1,00	11/2000		--
0030	S	ITTE48421		BOTTOM FUT C.TE	1,00	11/2007		--

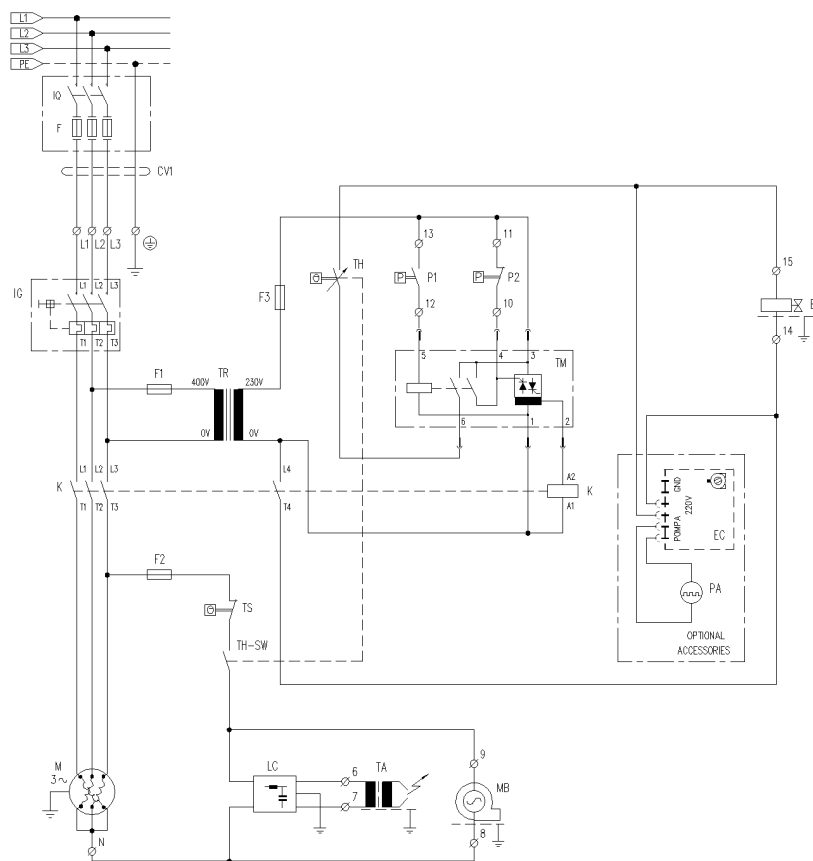


Ref. Part N.	Cust. Part N.	Description	Reference	Price
9999	KTRI40022	KIT PX 1- 36 FT.30MT	0001 0003 0006 0030	--

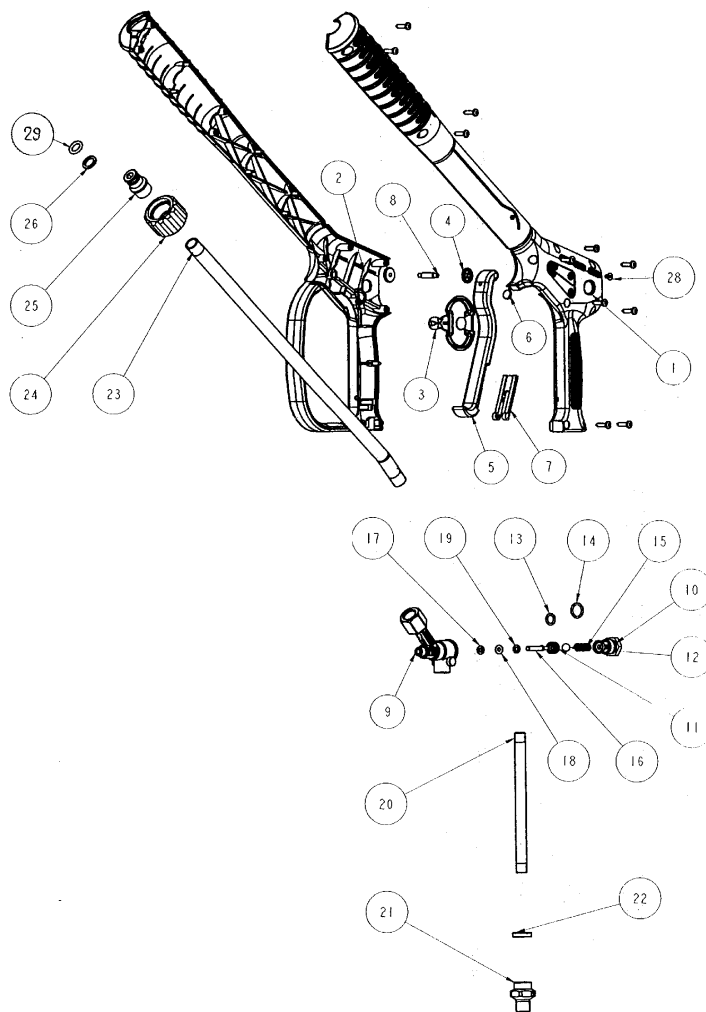


Ref.	K	Part N.	Customer Part N.	Description	Qty	Validity:		Price
						From	To	
		KTRI36516		KIT P 18- 9	1,00			--
0001		GUGO11214		GASKET FLL	1,00		05/2007	--
0001		GUGO40003		GASKET CB4	1,00	06/2007		--
0002		LAFN33967		SCROLL CB4 -MST	1,00		05/2007	--
0002		MPVR40010		SCROLL CB4 -2PZ.CP	1,00	06/2007		--
0003		LAFN11160		BUTTERFLY VALVEFLL	1,00			--
0004		VEVR34275		IMPELLER D.160-80 D.12.7 36P B.SX	1,00			--
0005		LAFN10272		MOTOR PLATE CB 3	1,00	04/2000		--
0006		MOMB34119		BURNER MOTOR 230-50 IP44 150W A.OR	1,00			--
0007		KTRI36516		KIT P 18- 9	1,00			--
0008		FTCO88927		FUEL FILTER S.AL	1,00	01/2005		--
0008		PPGS40009		FUEL PUMP DNF BFA 01L3L1	1,00	04/2010		--
0008		PPGS40117		FUEL PUMP DLT VM1LR15	1,00	09/1998	01/2005	--
0008		PPGS88084		FUEL PUMP DLT ALLUM. A1L1	1,00	01/2005	03/2010	--
0009		RCVR08954		ELBOW 1/8"-4 B5	2,00			--
0010		TBCO33977		DIESEL HOSE MST 30MT D. 4	1,00	11/2000		--
0012		RCVR00573		ELBOW 1/4" M/F A10	1,00			--
0013		RCDS00626		HOSE FITTING 1/4 M D. 5- 7	1,00			--
0015		TBCO06945		L.P. HOSE D. 6-12 10BAR C.PRESS	1,35			--
0015		TBCO06945		L.P. HOSE D. 6-12 10BAR C.PRESS	0,17			--
0016		FTCO34840		FUEL FILTER FB 7/A NYL.	1,00		04/2010	--
0016		FTCO40003		FUEL FILTER FB 7/TA 60mc NYL.	1,00	04/2010		--
0017		FSVR11197		CLAMP D.I. 11 13315	2,00			--
0019		MECB18118		CABLE DLT L=1.600	1,00	11/2000		--
0020		LAFN40224		PLATE MST	1,00	11/2000		--

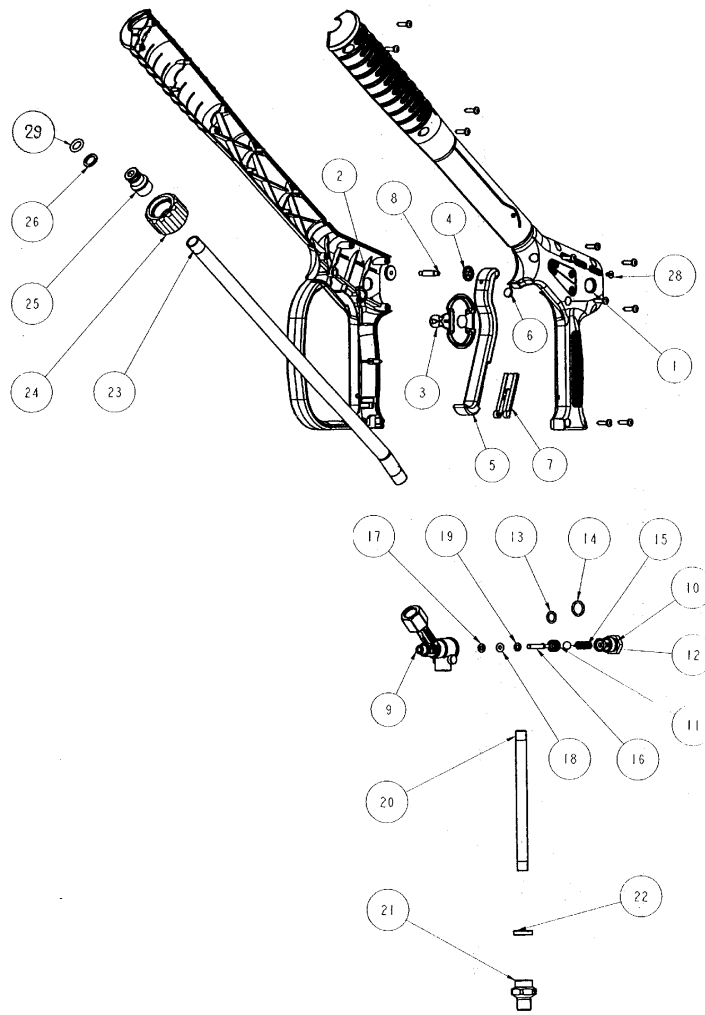




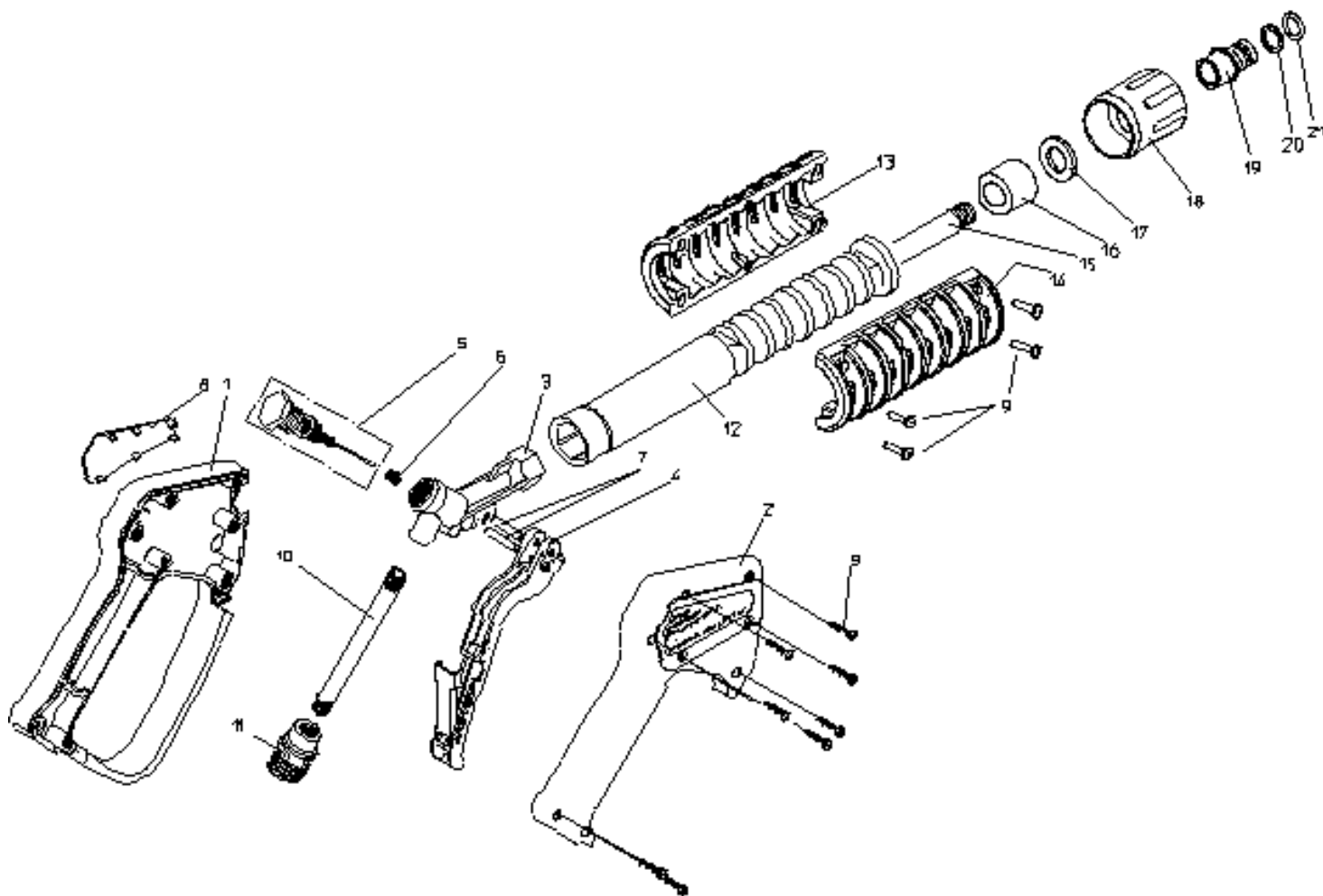
Ref. K	Part N.	Customer Part N.	Description	Qty	Validity:		Price
					From	To	
K	METT42873		CONTACTOR SIE 3RT 1017 1AN21 220V	1,00	11/2000		--
EV	MEBE18120		COIL DLT 220-50 S/CV.	1,00	11/2000	01/2005	--
EV	MEBE43705		COIL DNF 220-50	1,00	04/2010		--
EV	MEBE49881		COIL DLT 220-50 NF84	1,00	01/2005	03/2010	--
F1	MEVR09010		FUSE 5X20 0,5A	1,00	11/2000		--
F2	MEVR00237		FUSE 5X20 3,15A	1,00	11/2000		--
F3	MEVR47933		FUSE 5X20 T 0,25A	1,00	07/2004		--
IG	MECI08294		SWITCH O.K.N. 10-16 A	1,00	11/2000		--
LC	MECE34831		FILTER LC F.AH.DA.3100ZF 6.5A	1,00	11/2000		--
P1	MEPF39741		PRESSURE SWITCHMTM 1/8M NA/NC 25B. MICRO	1,00	11/2000		--
P2	MEPF39902		PRESSURE SWITCHMTM 1/4M NA/NC 25B. MICRO	1,00	11/2000		--
TA	METR34464		TRANSFORMER 230V-50HZ 2X4000V SP4 CM	1,00	11/2000		--
TH	METK33752		THERMOSTAT 30-150°C TR/711-N+ BS75	1,00	11/2000		--
TM	METY42780		TIMER THV/2+RL.15-250V 5/60 30S	1,00	11/2000		--
TR	METR43881		TRANSFORMER 35VA 400/230V 50/60HZ	1,00	11/2000		--
TS	METK34839		THERMOSTAT 50°C TR/711-N C.1.5	1,00	11/2000		--
CV1	MECB17414		CABLE H07 RNF 4X2.5 L=6.500	1,00	11/2000		--



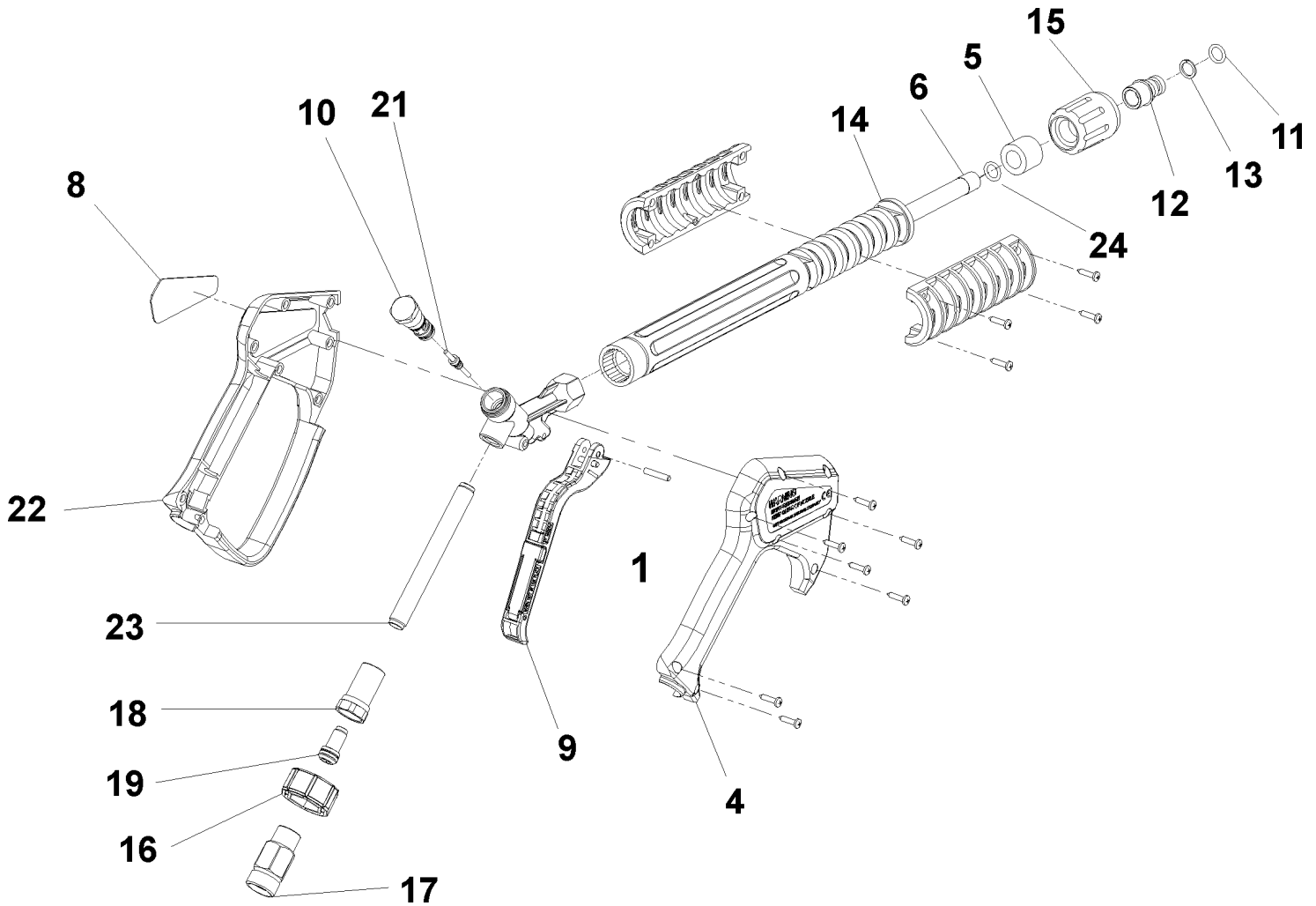
Ref.	K	Part N.	Customer Part N.	Description	Qty	Validity:		Price
						From	To	
0001		MPVR43269		HALF BEARING G2200 SX PRT	1,00			--
0002		MPVR43268		HALF BEARING G2200 DX PRT	1,00			--
0003		MPVR43270		CAP G2200	1,00			--
0004		VTRS41562		WASHER AURA 200	2,00			--
0005		MPVR41568		TRIGGER AURA 200	1,00			--
0006		PVVR41567		PAWL AURA 200 INX	1,00			--
0007		MPVR41569		SAFETY-DEVICE AURA 200	1,00			--
0008		VTVR41566		PLUG AURA 200	1,00			--
0009		PVVR41559		GUN BODY AURA G1/4 L.18	1,00			--
0010	E	PVVR43275		CAP M14X1 AURA 200 2.V	1,00			--
0011	E	PVVR43274		BALL SEAT AURA 200 2.V	1,00			--
0012	E	SFVR12904		BALL D. 9/32 W1 INX	1,00			--
0013	E	GUGO63426		O-RING D. 7.66 X 1.78 NBR 90SH	1,00			--
0014	E	GUGO19194		O-RING D. 11.11 X 1.78 NBR 70SH	1,00			--
0015	E	MLML41571		SPRING D. 7 X21 D.1.2	1,00			--
0016	S	PVVR43264		SMALL PISTON AURA 200 INX L=30 2V.	1,00			--
0017	S	GUVR41557		ANTI-EXTR.RING D. 4 X 7.8X1.2	1,00			--
0018	S	GUGO01201		O-RING D. 3.6 X 2.4 -NBR 70SH	1,00			--
0019	S	VTRS43265		WASHER OT AURA	1,00			--
0020		PVVR43272		TUBE G 1/8" M/M L.133	1,00			--
0021		RCIN41561		MALE COUPLING M 22 -1/8F	1,00			--
0022		MPVR43271		WASHER 1/8" G2200	1,00			--
0023		LCPR43273		TUBE 1/4 L=384 0° 1/4 M-M INX	1,00			--
0024		PVVR43276		CONNECTION M22X1,5 IRV	1,00			--
0025		RCIN43267		GUDGEON G 1/4 F IRV	1,00			--
0026		GUVR43266		ANTI-EXTR.RING SR 110	1,00			--
0028		PVVR42233		CAP D. 3 PLS YLW.	1,00			--
0029		GUGO28927		O-RING D. 9.13 X 2.62 NBR 70SH	1,00			--



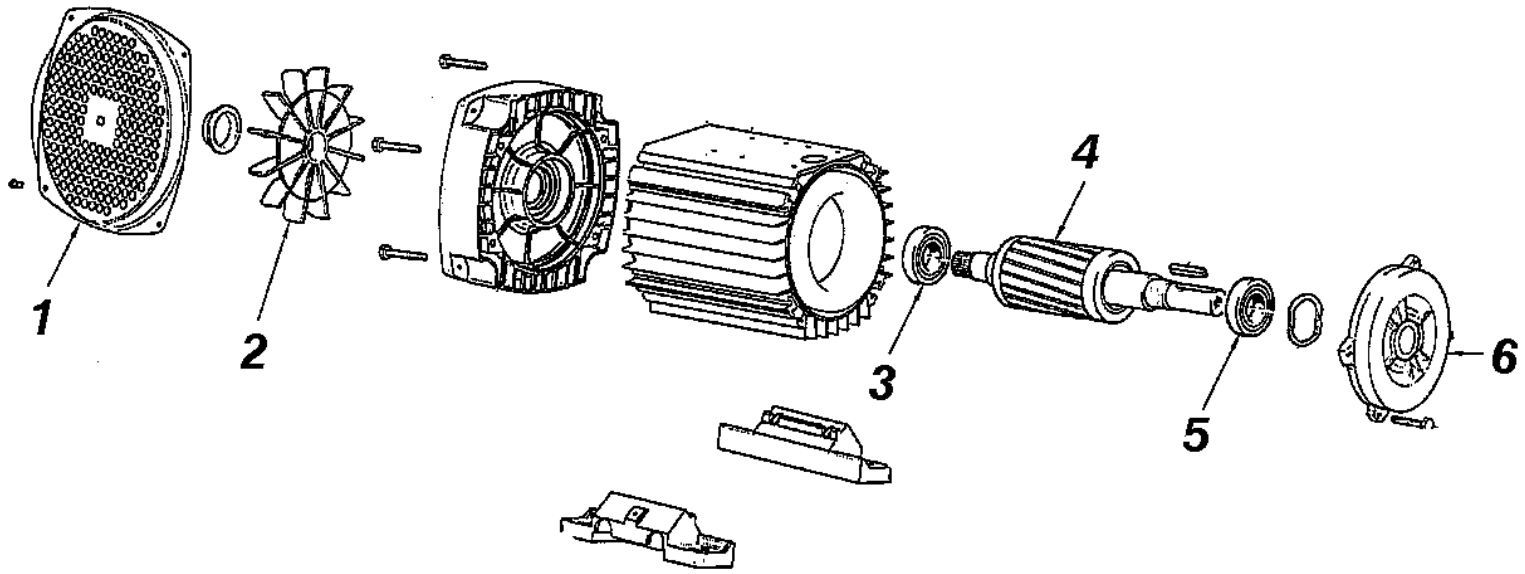
Ref. Part N.	Cust. Part N.	Description	Reference	Price
KTRI40835	KIT P	26- 15 AURA 200	0011 0012 0013 0014 0015 0016 0017 0018 0019	--
KTRI47792	KIT P	26- 20 AURA 200	0010 0011 0012 0013 0014 0015	--



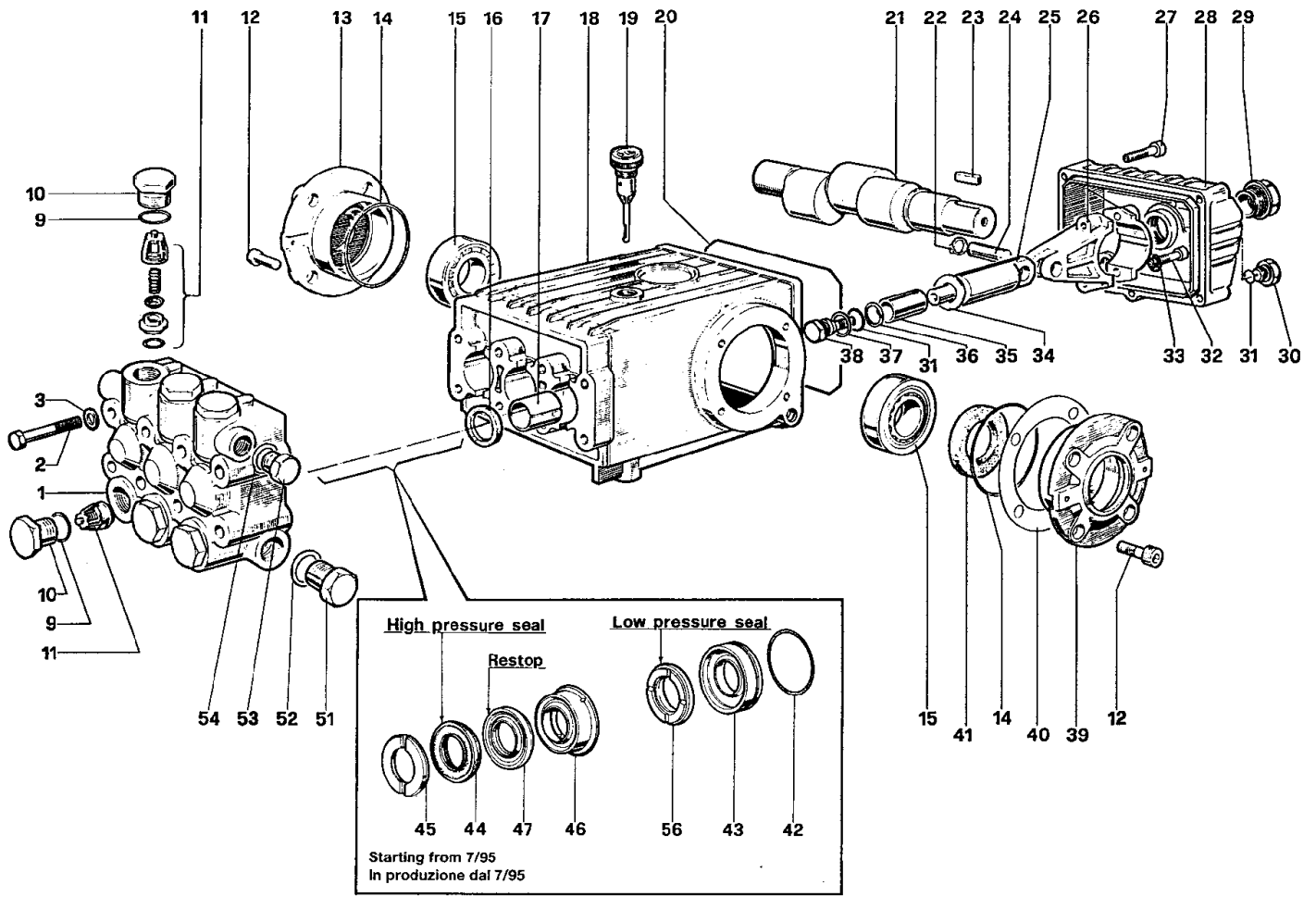
Ref. K	Part N.	Customer Part N.	Description	Qty	Validity:		Price
					From	To	
0001	MPVR46562		SHELL G 4500	1,00			--
0002	MPVR46563		COVER G 4500	1,00			--
0003	PVVR46564		GUN BODY G 4500 G1/4 OT.	1,00			--
0004	MPVR46565		TRIGGER G 4500	1,00			--
0005	PVVR46566		SMALL PISTON G 4500 CPL.	1,00			--
0006	PVVR46567		PISTON GUIDE G 4500 CPL.	1,00			--
0007	VTVR46568		PLUG G 4500	2,00			--
0008	MPVR46569		PLATE G 4500 RD.	1,00			--
0009	VTVT28553		SCREW TCB-TC 3.5X16	11,00			--
0010	PVVR37732		TUBE G 1/4" M/M L.139	1,00			--
0011	RCIN03752		MALE COUPLING 1/4FA	1,00			--
0012	MPVR46570		PROTECTION P 330 ST	1,00			--
0013	PVVR13440		SHELL PROTECTI.ST	2,00			--
0015	LCPR46571		TUBE 1/4 L=352 ZC.	1,00			--
0016	MPVR46572		SPACER P 330 ST	1,00			--
0017	VTRS04931		WASHER COPPER D.13X19X1.5	1,00			--
0018	PVVR13445		CONNECTION M 22X1,5 L=45	1,00			--
0019	RCVR13030		GUDGEON G 1/4 F L=31.5	1,00			--
0020	GUVR10526		ANTI-EXTR.RING D.13.9X10.2 C.BZ	1,00			--
0021	GUGO10525		O-RING D. 9.3 X 2.4 NBR 70SH	1,00			--



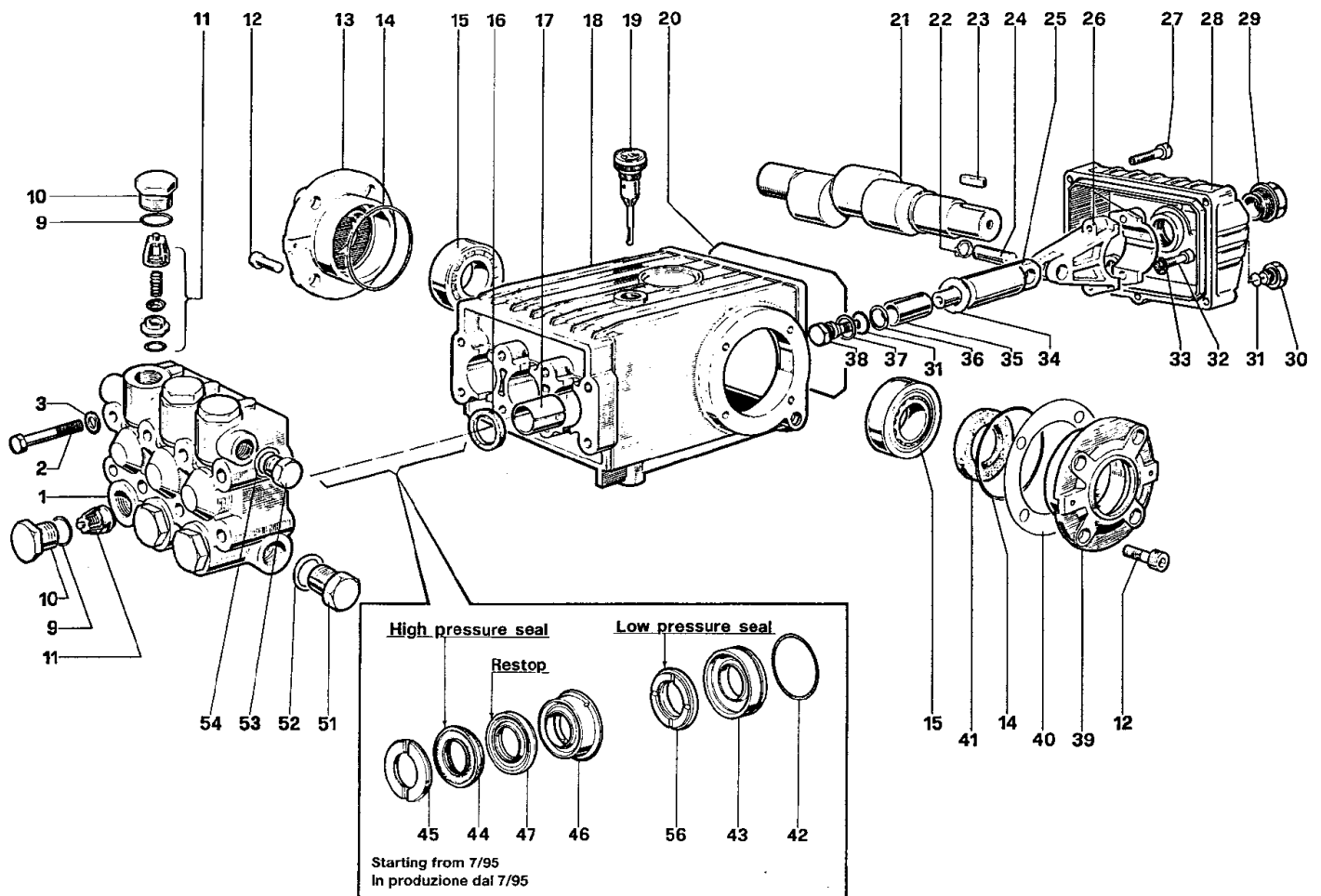
Ref. K	Part N.	Customer Part N.	Description	Qty	Validity:		Price
					From	To	
0001	VTVR46568		PLUG G 4500	1,00			--
0004	MPVR40157		COVER G 4500 2V.	1,00	05/2008		--
0004	MPVR46563		COVER G 4500	1,00		04/2008	--
0005	MPVR46572		SPACER P 330 ST	1,00			--
0006	LCPR40007		TUBE 1/4 L=352 ZC. 2V.	1,00	05/2008		--
0006	LCPR46571		TUBE 1/4 L=352 ZC.	1,00		04/2008	--
0008	MPVR46569		PLATE G 4500 RD.	1,00			--
0009	MPVR40057		TRIGGER G 4500 -SW	1,00			--
0010	PVVR40030		SMALL PISTON TM ST-2300	1,00			--
0011	GUGO10384		O-RING D. 10 X 2.2 VIT 80SH	1,00			--
0012	RCVR13030		GUDGEON G 1/4 F L=31.5	1,00			--
0013	GUVR10526		ANTI-EXTR.RING D.13.9X10.2 C.BZ	1,00			--
0014	MPVR46570		PROTECTION P 330 ST	1,00			--
0015	PVVR13445		CONNECTION M 22X1.5 L=45	1,00			--
0016	MPVR40058		RING NUT G4500 SW.	1,00			--
0017	RCIN40001		JOINT SWIV 4500 3/8"F	1,00		04/2008	--
0017	RCIN40005		JOINT SWIV 4500 3/8"F 2V.	1,00	05/2008		--
0018	RCIN31641		CONNECTOR SWIV 1500 F	1,00			--
0019	KTRI31645		KIT P 26- 14	1,00			--
0021	PVVR40031		ROD ST-2300	1,00			--
0022	MPVR40156		SHELL G 4500 2V.	1,00	05/2008		--
0022	MPVR46562		SHELL G 4500	1,00		04/2008	--
0023	PVVR40023		TUBE G 1/4" M/M P/SW.	1,00			--
0024	GUGO27021		O-RING D. 11 X 2.5 EPD 70SH	1,00	05/2008		--



Ref. K	Part N.	Customer Part N.	Description	Qty	Validity:		Price
					From	To	
0001	LAFN40007		PROTECTION ED H.112 EST. LM.BK	1,00			--
0002	VEVR48370		MOTOR FAN H 112 EST. ELD	1,00			--
0003	CUVR40002		BALL BEARING 6306 2Z	1,00			--
0004	MORT40001		EL.MOT. ROTOR 7.5HP T 4P H112 AC EST ED	1,00			--
0005	CUVR21250		BALL BEARING 6008 2Z	1,00			--
0006	MFVR48371		FLANGE MOTOR MEC 112 T. EST. ELD	1,00			--

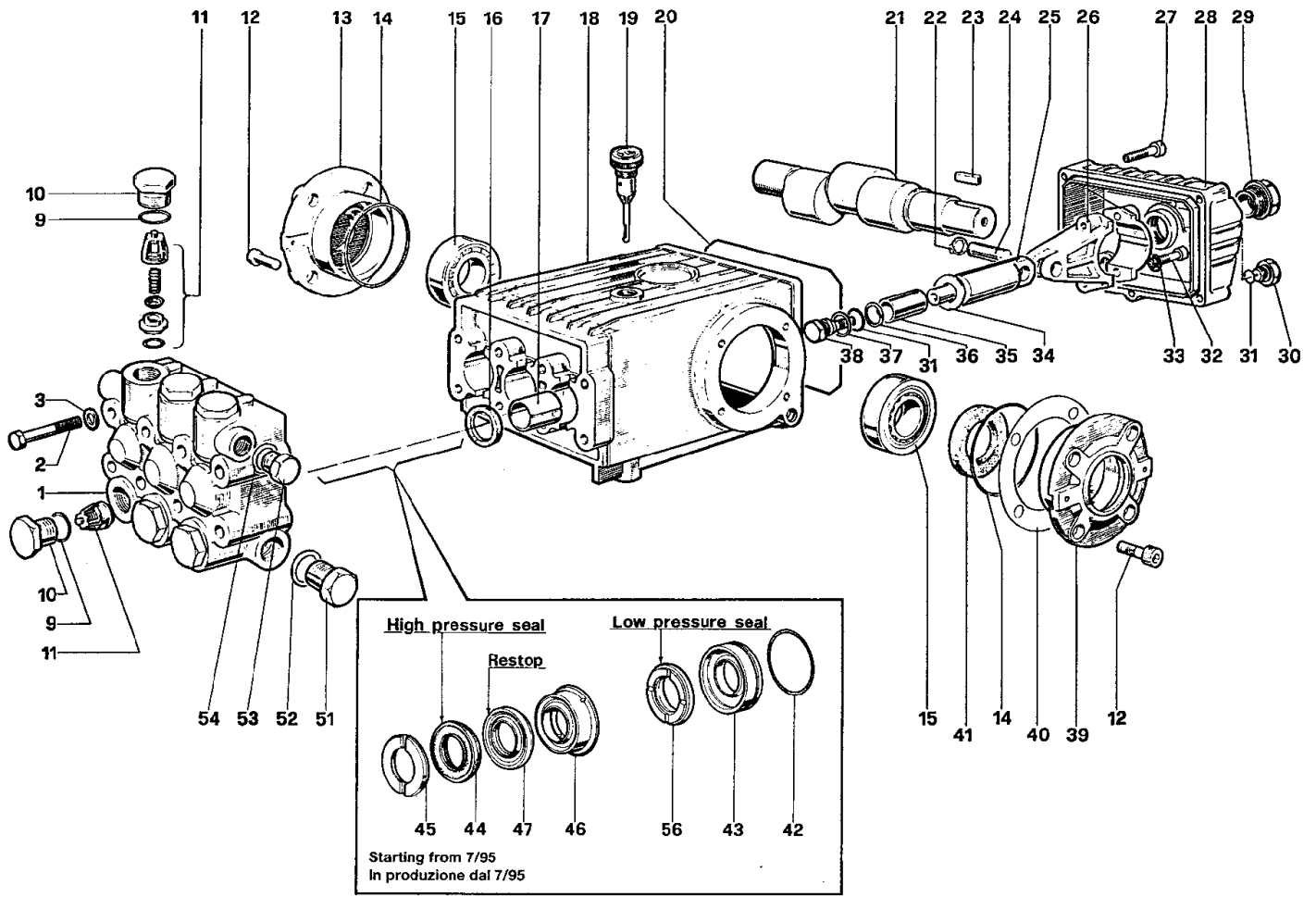


Ref.	K	Part N.	Customer Part N.	Description	Qty	Validity:		Price
						From	To	
0001		MFVR01097		HEAD W 151	1,00			--
0002		VTVT01111		SCREW TE M 8X70 UNI 5737	8,00			--
0003		VTRS01072		WASHER D. 8 TC	8,00			--
0009	S	GUGO01033		O-RING D. 20.24 X 2.62 NBR 90SH	6,00			--
0010	S	RCDS01087		CAP M24X2X16 OTT	6,00			--
0011	S	VVAM01104		VALVE UNIT W 70-151	6,00			--
0012		VTVT01118		SCREW TCEI M 8X16 ZC. UNI 5931	8,00			--
0013		MFVR03576		CRANKCASE COVER W151	1,00			--
0014		GUGO01041		O-RING D. 67.95 X 2.62 NBR 70SH	2,00			--
0015		CUVR09205		ROLLER BEARING 32206 A	2,00			--
0016	S	GUGO01000		OIL SEAL 22X 32X 5 NBR70	3,00			--
0017		PVVR01011		BUSHING W 151	3,00			--
0018		MFVR01013		PUMP CRANKCASE W 151	1,00			--
0019		PVVR01092		OIL DIPSTICK W 151	1,00			--
0020		GUGO34590		O-RING D. 133.02 X 2.62 NBR 70SH	1,00			--
0021		ALMO41530		SHAFT TS 1511 USA	1,00			--
0022		VTAE14016		CIRCLIP D. 12 UNI 7435	6,00			--
0023		VTVR41531		KEY 8X 7X35 UNI 6604A	1,00			--
0024		PVVR01085		GUDGEON D.13X35 W151	3,00			--
0025		PVVR01029		PISTON GUIDE W 151	3,00			--
0026		BLVR01009		CONNECTING ROD W 151	3,00			--
0027		VTVT01116		SCREW TCEI 6X30 UNI5931	5,00			--
0028		MFVR03582		CRANKCASE COVER W 151 POS	1,00			--
0029		PVVR01083		OIL INDICATOR G 3/4 W70-151	1,00			--
0030		RCDS01088		CAP 1/4X 9 M WW90	1,00			--
0031	S	GUGO01036		O-RING D. 10.82 X 1.78 NBR 70SH	4,00			--
0032		VTVT01120		SCREW TCEI 8X35 UNI5931	6,00			--
0033		VTRS14242		WASHER D. 8.4X13X0.8 UNI7064 SCH	6,00			--
0034	S	VTRS01753		WASHER D.14X28 X0,5	3,00			--
0035		PIVR01066		PISTON D.20X50 W 151	3,00			--
0036	S	GUVR00994		ANTI-EXTR.RING W151	3,00			--
0037	S	VTRS01076		WASHER D.14X18,5X0,5	3,00			--
0038	S	PVVR01107		PISTON BOLT IP W151	3,00			--
0039		MFVR03583		CRANKCASE COVER W151	1,00			--
0040		PVVR01016		THICKNESS 0,1 W 151	2,00			--
0041	S	GUGO01003		OIL SEAL 30X 55X 7 NBR70	1,00			--
0042	S	GUGO01042		O-RING D. 34.6 X 1.78 NBR 70SH	3,00			--
0043	S	PVVR00977		PACKING RETAIN.W151	3,00			--
0044	S	GUVR00981		PACKING W151	3,00			--

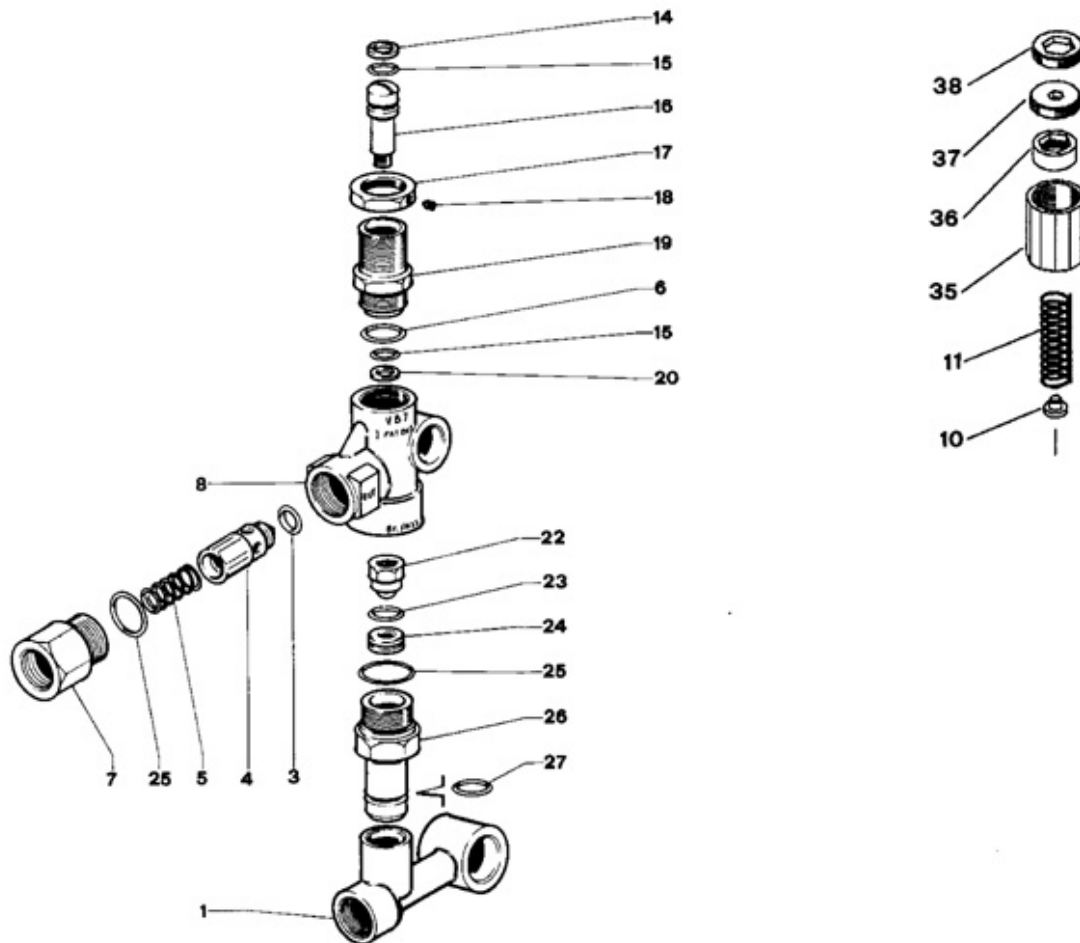


Ref.	K	Part N.	Customer Part N.	Description	Qty	Validity:		Price
						From	To	
0045	S	PVVR00985		HEAD RING W151	3,00			--
0046	S	PVVR34589		INTERMED. RING W 151 D. 20	3,00			--
0047	S	GUVR34587		PACKING D. 20 RESTOP	3,00			--
0051		RCDS01091		CAP 1/2X10 M	1,00			--
0052		VTRS01075		WASHER D.21,5X27 ALL	1,00			--
0053		RCDS01090		CAP 3/8X13 M WW90	1,00			--
0054		VTRS01074		WASHER D.17,05X22,3 X1,5	1,00			--
0056	S	GUVR34585		PACKING W 151 L.P.	3,00			--

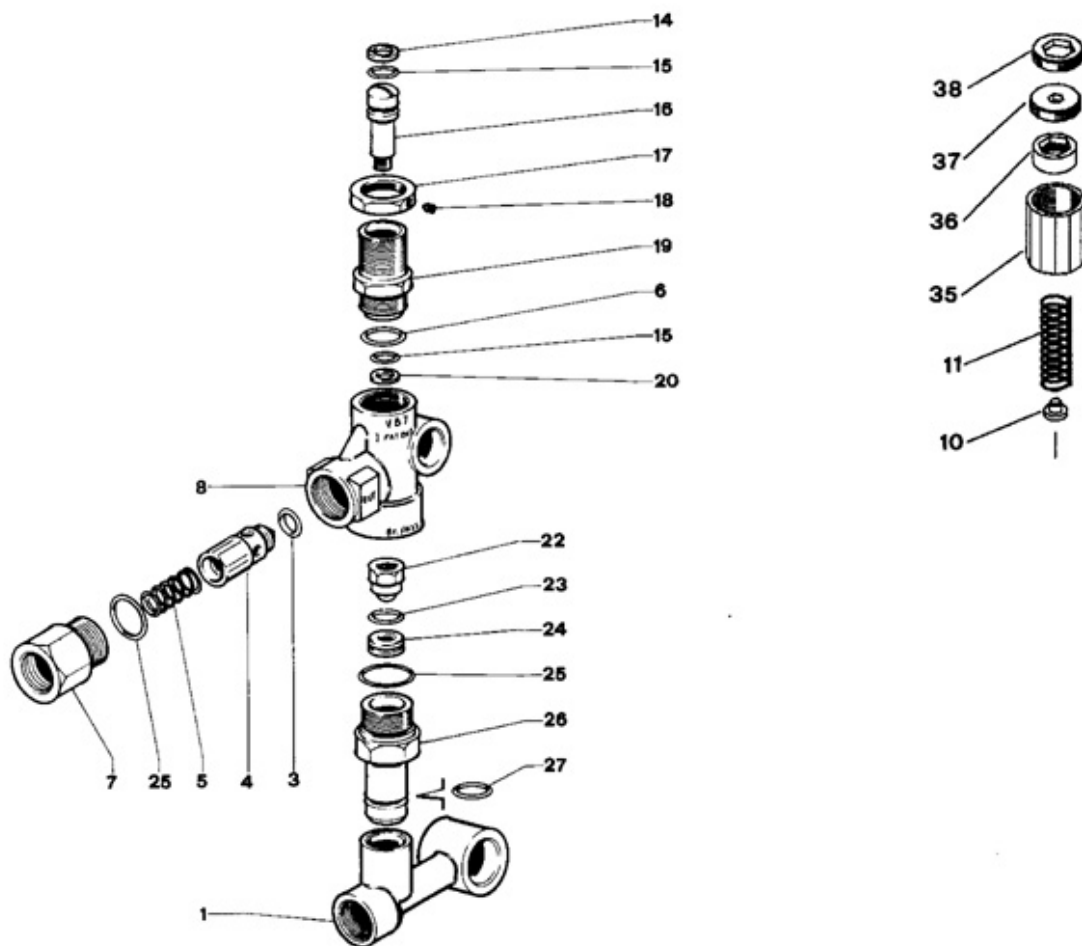




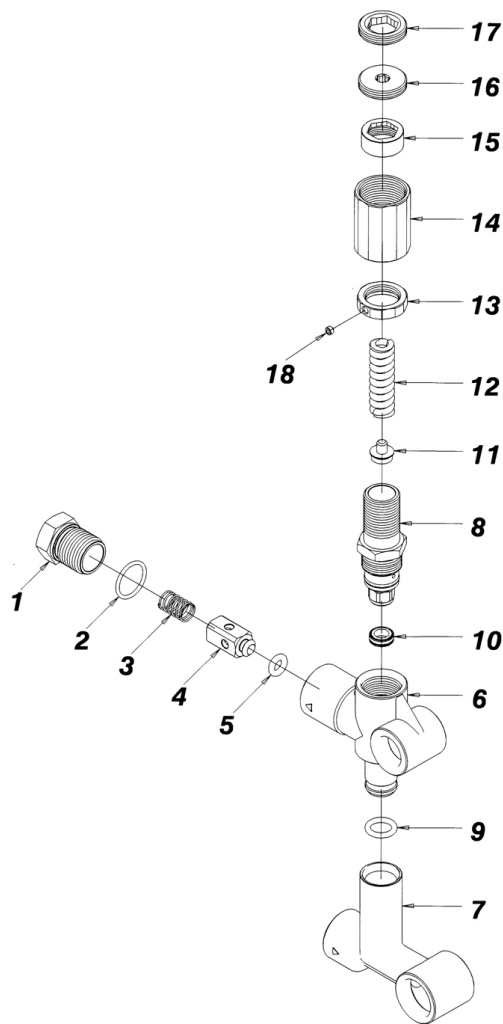
Ref. Part N.	Cust. Part N.	Description	Reference	Price
KTRI14900	KIT P	15- 3	0041	--
KTRI14901	KIT P	10	0042 0043	--
KTRI17793	KIT P	6	0031 0034 0036 0037 0038	--
KTRI17795	KIT P	4	0009 0010	--
KTRI17859	KIT P	1	0011	--
KTRI17860	KIT P	2	0016	--
KTRI18574	KIT P	7	0045	--
KTRI18579	KIT P	28	0042 0043 0044 0045 0046 0047 0056	--



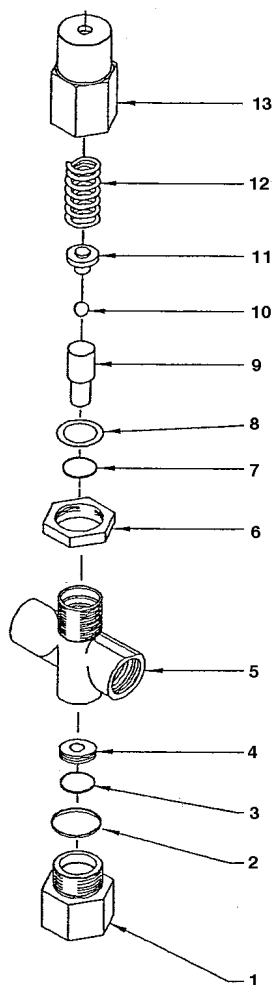
Ref.	K	Part N.	Customer Part N.	Description	Qty	Validity:		Price
						From	To	
0001		PVVR24912		MANIFOLD G1/2 VB 7	1,00			--
0003	S	GUGO06824		O-RING D. 6 X 3 NBR 70SH	1,00			--
0004		PVVR29750		PIN VB 7 2V.	1,00			--
0005		MLML29751		SPRING VB 7	1,00			--
0006	S	GUGO24913		O-RING D. 17.17 X 1.78 NBR 90SH	1,00			--
0007		PVVR29752		CONNECTOR VB 7 3/8F 2V.	1,00			--
0008		PVVR29753		VALVE BODY VB 7 2V.	1,00			--
0010		PVVR21510		SUPPORT AISI 430	1,00			--
0011		MLML10727		SPRING D. 3	1,00			--
0014	S	GUVR24920		ANTI-EXTR.RING D. 11 X 6.4	1,00			--
0015	S	GUGO24916		O-RING D. 6.02 X 2.62 NBR 90SH	2,00			--
0016		PVVR24917		SMALL PISTON VB 7 +P.BACK	1,00			--
0017		PVVR12471		RING NUT VPO	1,00			--
0018		VTVT24918		SCREW EI-ST 4X 4 UNI5927	1,00			--
0019		PVVR38740		CONNECTOR VB7-RG.	1,00			--
0020	S	GUVR24915		ANTI-EXTR.RING D. 11.6 X 7	1,00			--
0022	S	PVVR24921		COUPLING M6 INX	1,00			--
0023	S	GUGO24922		O-RING D. 11.11 X 1.78 NBR 90SH	1,00			--
0024	S	PVVR24923		BALL SEAT D. 8.5 + O-RING	1,00			--
0025	S	GUGO24924		O-RING D. 18.77 X 1.78 NBR 90SH	2,00			--
0026		PVVR24926		CONNECTOR VB 7 L=24	1,00			--
0027		GUGO12714		O-RING D. 10.3 X 2.4 VIT 70SH	1,00			--
0035		PVVR38736		CAP VB7-RG.	1,00			--
0036		PVVR38739		RING NUT VB7-RG.	1,00			--
0037		PVVR38738		REGISTER VB7-RG.	1,00			--
0038		PVVR38737		CLAMP VB7-RG.	1,00			--



Ref. Part N.	Cust. Part N.	Description	Reference	Price
KTRI26772		KIT P 14- 35	0003 0006 0014 0015 0020 0023 0024 0025 0022	--



Ref.	K	Part N.	Customer Part N.	Description	Qty	Validity:		Price
						From	To	
0001		PVVR47977		CONNECTOR MV625 G 3/8F	1,00			--
0002		GUGO01058		O-RING D. 17.17 X 1.78 NBR 70SH	1,00			--
0003		MLML47978		SPRING MV 625	1,00			--
0004		PVVR47979		PIN MV 625	1,00			--
0005		GUGO46053		O-RING D. 6 X 3 NBR 90SH	1,00			--
0006		PVVR47980		VALVE BODY MV 625	1,00			--
0007		PVVR47997		CONNECTOR MV 625 H.73	1,00			--
0008		PVVR47988		CONNECTOR MV 625 REG.	1,00			--
0009		GUGO11225		O-RING D. 10.78 X 2.62 NBR 70SH	1,00			--
0010		PVVR47985		VALVE SEAT MV 625 + O-RING	1,00			--
0011		PVVR47986		SPRING PLATE MV 625	1,00			--
0012		MLML47987		SPRING D. 3.25X41.1 MV 625	1,00			--
0013		PVVR47984		RING NUT MV 625	1,00			--
0014		PVVR47989		CAP MV 625 REG.	1,00			--
0015		PVVR47990		RING NUT MV 625 REG.	1,00			--
0016		PVVR47991		REGISTER MV 625 REG.	1,00			--
0017		PVVR47992		CLAMP MV 625 REG.	1,00			--
0018		VTVT24918		SCREW EI-ST 4X 4 UNI5927	1,00			--



Ref. K	Part N.	Customer Part N.	Description	Qty	Validity:		Price
					From	To	
0001	RCVR61105		CONNECTOR VS 220	1,00			--
0002	GUGO03505		O-RING D. 15.6 X 1.78 NBR 70SH	1,00			--
0003	GUGO10800		O-RING D. 10 X 1 NBR 70SH	1,00			--
0004	PVVR61091		VALVE SEAT 4,5X12X4 MM	1,00			--
0005	PVVR61073		VALVE BODY VS 220	1,00			--
0006	VTDD33553		LOCKNUT M 24	1,00			--
0007	GUGO63424		O-RING D. 7.66	1,00			--
0008	GUVR11936		ANTI-EXTR.RING D. 8 X11 PA	1,00			--
0009	PVVR33551		PISTON PA	1,00			--
0010	SFVR61110		BALL VS 220	1,00			--
0011	PVVR61099		SUPPORT VS 220	1,00			--
0012	MLML61052		SPRING 170 B. VS 220	1,00			--
0013	PVVR61080		SLEEVE VS 220	1,00			--